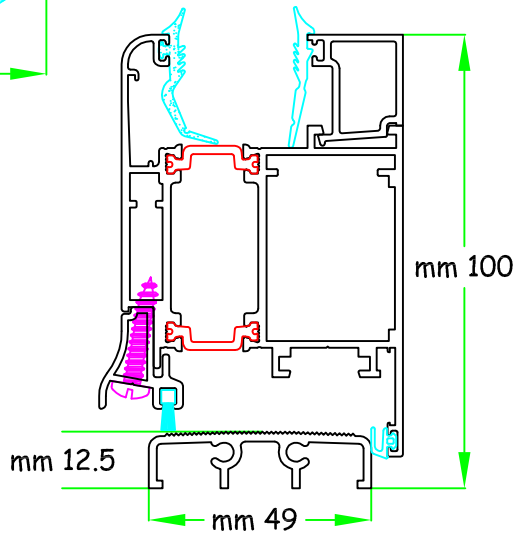
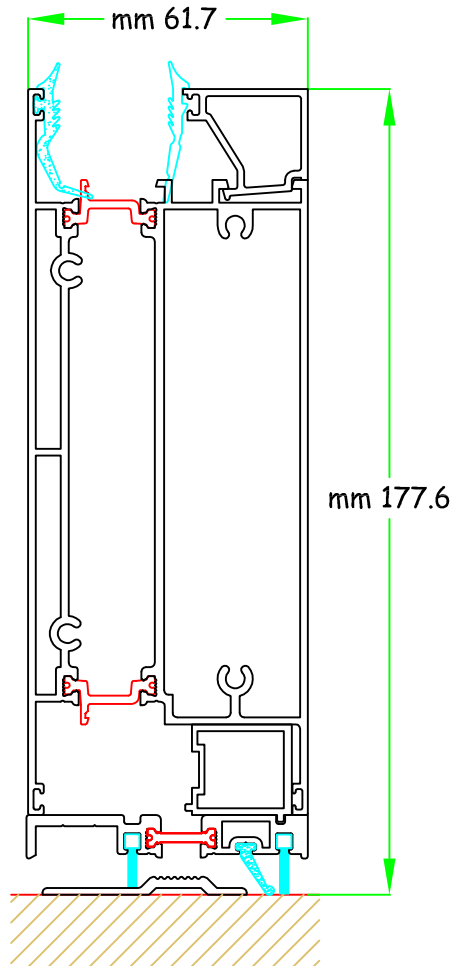
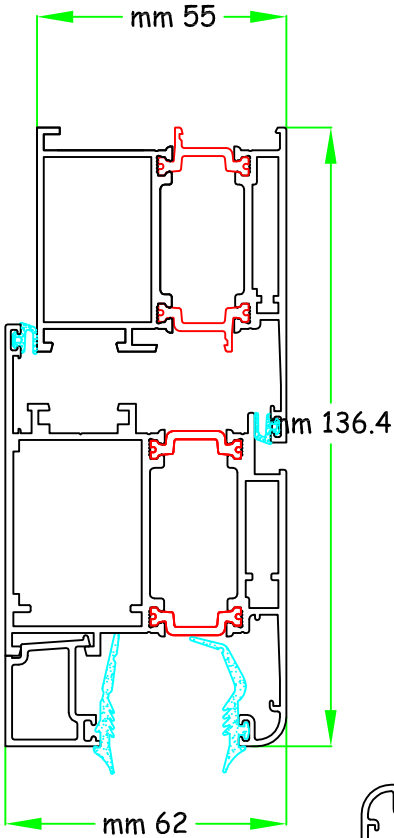
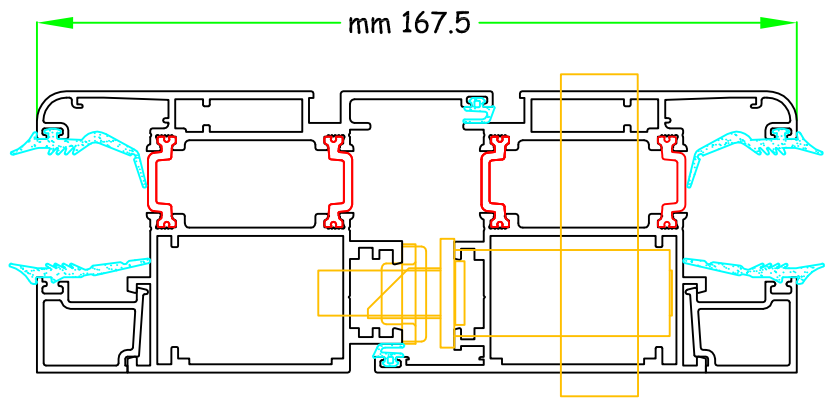
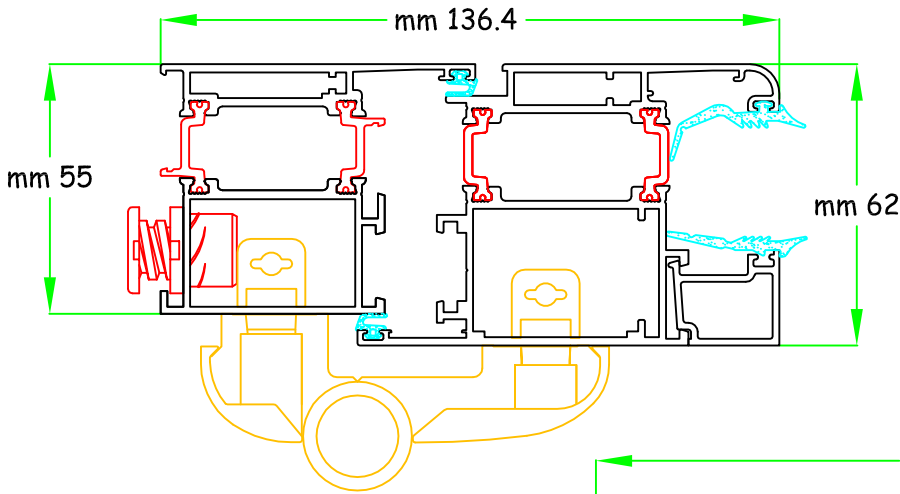


Hydro Domal Extrathermic 62



non in scala